

## G980643 Spring Loaded Stainless Steel Ring Pull

### Features

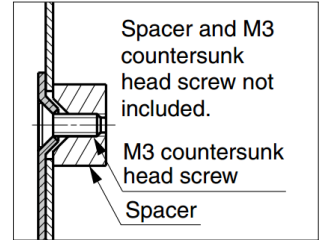
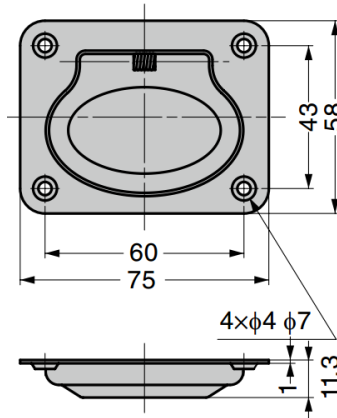
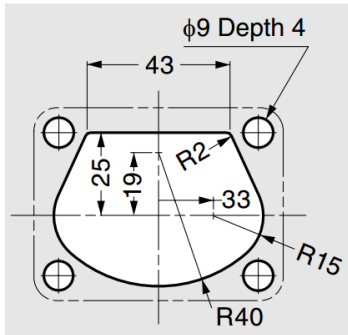
- Spring loaded

### Material

- Stainless steel 304, polished

### Parts Included

- Tapping screw 3.5×16 (SUS)



Sheet metal illustration

Part No.	Load Capacity	
G980643	245 N	25 kg

## G980641/2 Spring Loaded Stainless Steel Ring Pull

### Features

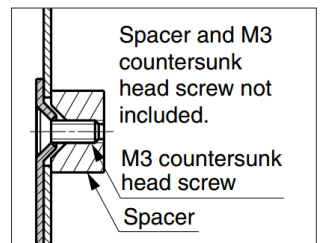
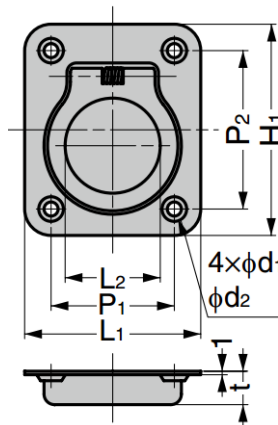
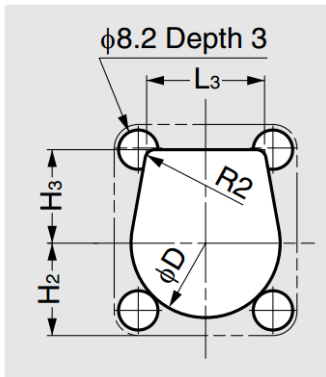
- Spring loaded

### Material

- Stainless steel 304, polished

### Parts Included

- G980641: Tapping screw 3×16 (SUS)
- G980642: Tapping screw 3.5×16 (SUS)



Sheet metal illustration

Part No.	L <sub>1</sub>	L <sub>2</sub>	L <sub>3</sub>	H <sub>1</sub>	H <sub>2</sub>	H <sub>3</sub>	D	t	P <sub>1</sub>	P <sub>2</sub>	d <sub>1</sub>	d <sub>2</sub>	Load Capacity
G980641	38	18	24.5	44	19	19.5	31	10	28	34	4	6.2	196 N 20 kg
G980642	50	27	25	60	25	25	41	9.5	35	45	4.4	7	245 N 25 kg